

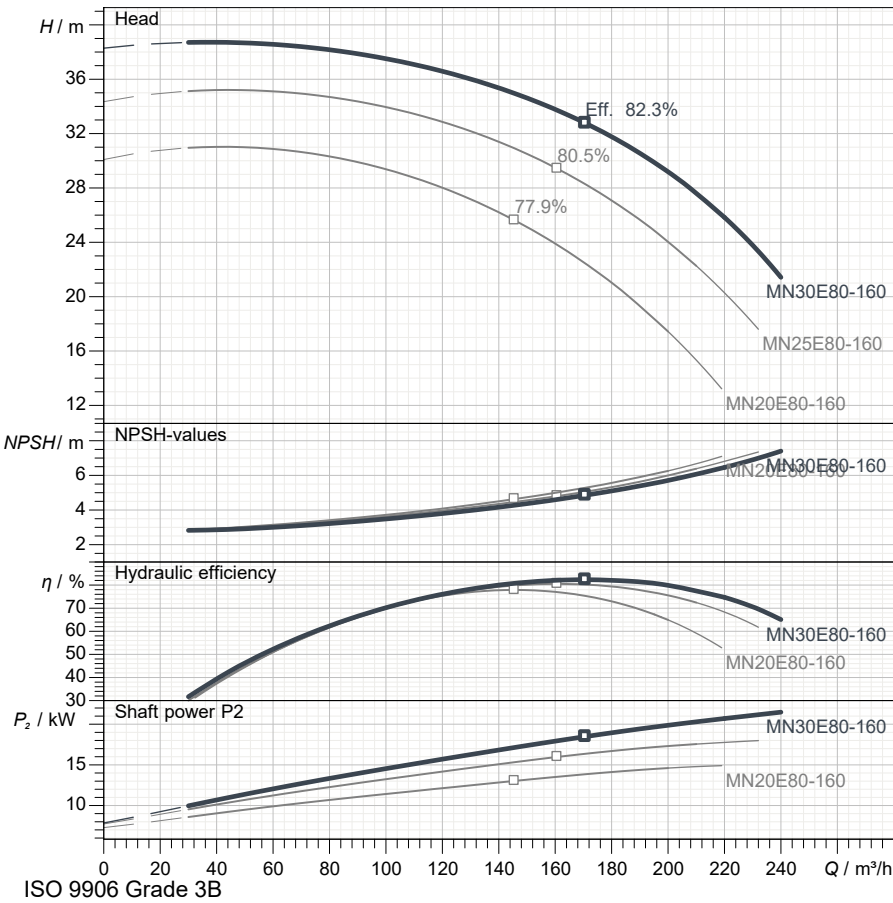
## Product description

### MN30E80-160-2P-50-TB-SS

Pos.no	Description	Item no	Qty.	UP / €	TP / €
1				Price on req.	Price on req.
2	<b>Close-coupled electric pump according to EN 733 (DIN 24255)</b>				
3	Centrifugal pump: MN30E80-160-2P-50-TB-SS		1	Price on req.	Price on req.
4	<p>Pump bodies Close-coupled electric pumps in compliance with EN 733 - DIN 24255 standards coupled to IEC standard electric motors through rigid coupling.</p> <p>Duty point Flow : 230 m<sup>3</sup>/h / Head : 20 m</p> <p>Pump operating data Impeller diameter : 168 mm / Speed : 2900 1/min Flow : 239.2 m<sup>3</sup>/h / Head : 21.63 m Shaft power P2 : 21.45 kW / Efficiency : 65.59 % Head (Q = 0) : 38.29 m</p> <p>Pump body : Cast iron Impeller : Stainless steel Wear ring : Cast iron Support : Cast iron Coupling : Cast iron Shaft : Stainless steel</p> <p>Max. solid contents : 40 g/m<sup>3</sup> Max. water temperature : 90 °C Max. running time with Q=0 : 2 min</p>				
5	Motor: IEC 30 - 2		1		
6	<p>Electric motor Three-phase IE3 asynchronous squirrel cage motor.</p> <p>Casing : Cast iron</p> <p>Protection : IP 55 Insulation class : F Number of startings : max 6 Max environment temperature : 40 °C Max altimetric level : 1000 m Weight : 182 kg</p> <p>Frequency : 50 Hz N. poles : 2 P2 : 22 kW U : 400 V In 1/1 : 38.1 A EFF : 92.7 % CosPhi : 0.9</p>				
7	Shaft seal: Gland packing		1		
8	<p>Twiner system® : Stainless steel Stuffing-box packing : Synthetic fibers Shaft protection bushing : Chromed stainless steel</p>				

## Technical data

### MN30E80-160-2P-50-TB-SS



Operating data specification	
Capacity	230 m³/h
Head	20 m
Fluid	Pure water
Type of installation	<Single head pump>

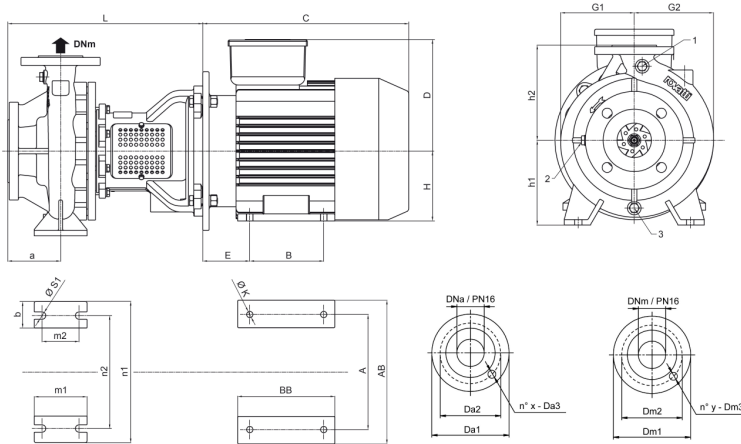
Pump operating data	
Design	MN30E80-160-2P-50-TB-SS
Impeller Ø	168 mm
Speed	2900 1/min
Flow	239 m³/h
Head	21.6 m
Shaft power P2	21.5 kW
Efficiency	65.6 %
Head (Q=0)	38.3 m
Non return valve loss	

Electric motor technical data	
Design	IEC 30 - 2
Rated power	22 kW
Frequency	50 Hz
Number of poles	2
Nominal speed	2900 1/min
Rated voltage	3~ 400 V
Starting mode	Direct starting
Rated current	38.1 A
Insulation class	F
Degree of protection	IP 55

Use limits	
Max N° startings/hour	6
Max. running time with Q=0	2 min
Max. solids contents	40 g/m³
Max. pumped liquid temperature	90 °C
Maximum density	998 kg/m³
Maximum viscosity	1 mm²/s

Materials	
Pump body	Cast iron
Impeller	Stainless steel
Wear ring	Cast iron
Support	Cast iron
Coupling	Cast iron
Shaft	Stainless steel

Shaft seal	
Twinner system®	Stainless steel
Stuffing-box packing	Synthetic fibers
Shaft protection bushing	Chromed stainless steel

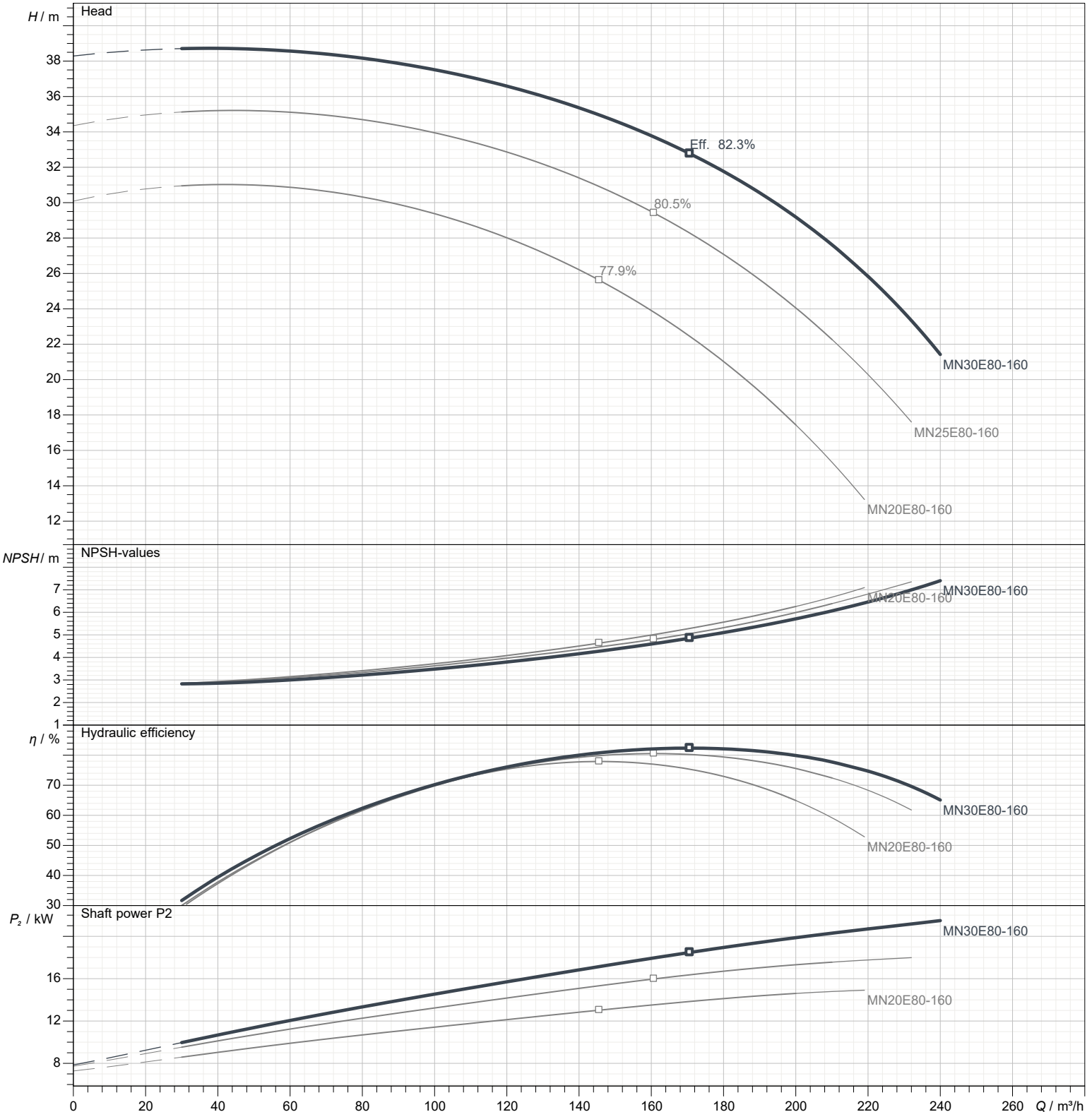


Dimensions in				mm				Total weight				236 kg			
a	125	Da1	220	E	121	m1	125								
A	279	Da2	180	G1	144	m2	95								
AB	350	Da3	18	G2	172	n1	320								
b	65	Dm1	200	H	180	n2	250								
B	241	Dm2	160	h1	180	s1	14								
BB	315	Dm3	18	h2	225	x	8								
C	580	DNa	100	K	15	y	8								
D	280	DNrr	80	L	432										

## Performance curves

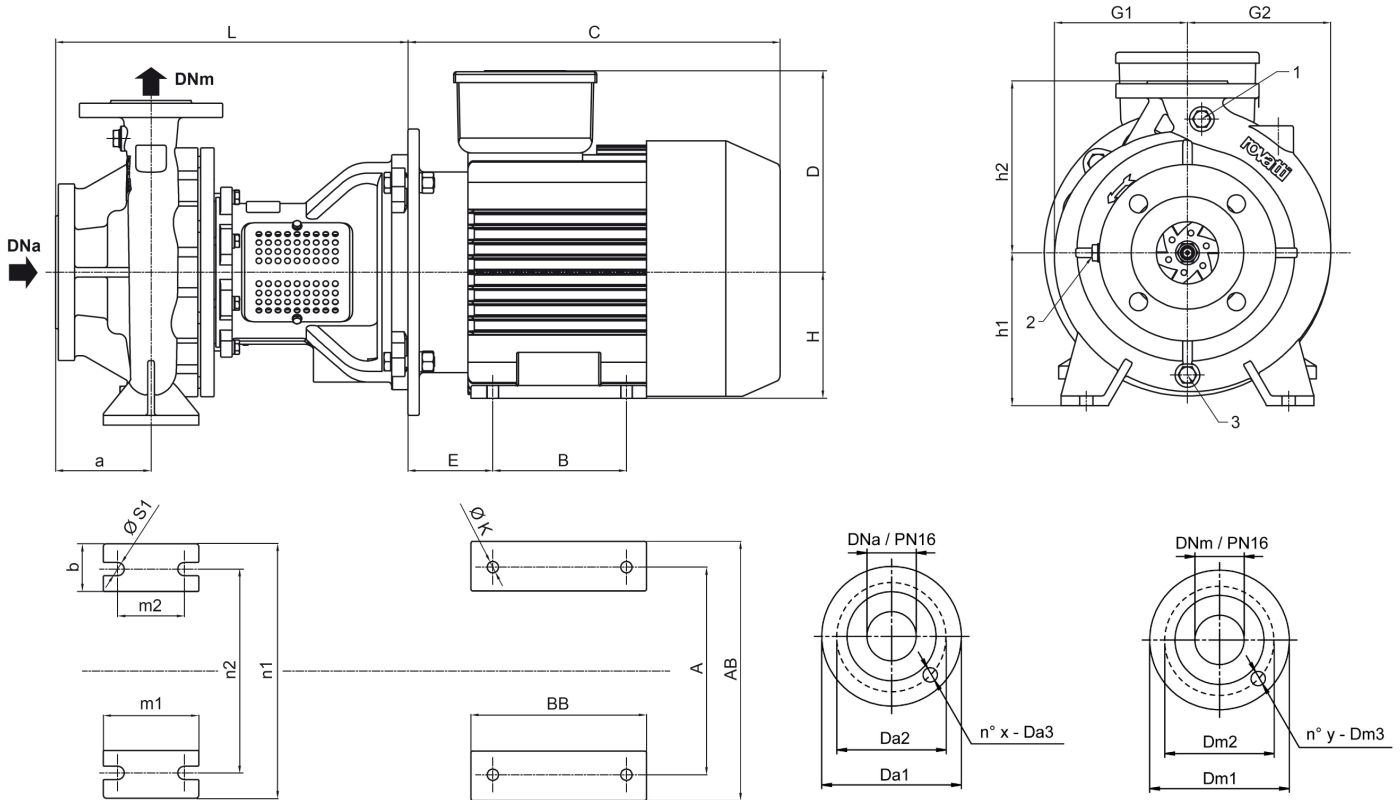
### MN30E80-160-2P-50-TB-SS

Performances				
Speed		2900 1/min	Density	998 kg/m <sup>3</sup>
Flow	Min.	30 m <sup>3</sup> /h	Viscosity	1 mm <sup>2</sup> /s
	Max.	220 m <sup>3</sup> /h		
Efficiency	Max.	171 m <sup>3</sup> /h	Temperature	20 °C
			Tolerances	ISO 9906 Grade 3B



## Types of installation

MN30E80-160-2P-50-TB-SS



Total weight		236 kg		Dimensions in mm	
a	125	h2	225		
A	279	K	15		
AB	350	L	432		
b	65	m1	125		
B	241	m2	95		
BB	315	n1	320		
C	580	n2	250		
D	280	s1	14		
Da1	220	x	8		
Da2	180	y	8		
Da3	18				
Dm1	200				
Dm2	160				
Dm3	18				
DNa	100				
DNm	80				
E	121				
G1	144				
G2	172				
H	180				
h1	180				